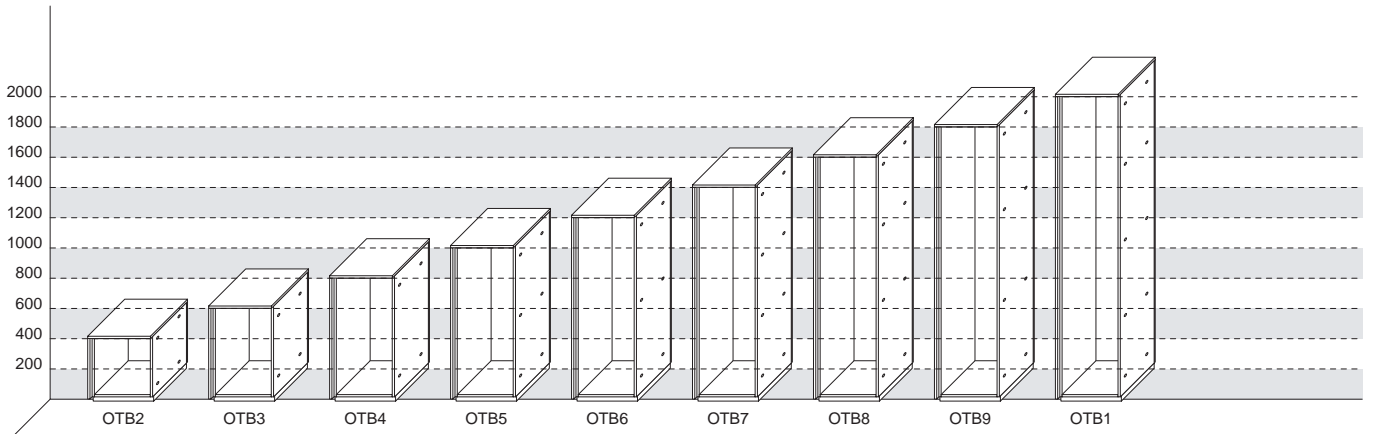
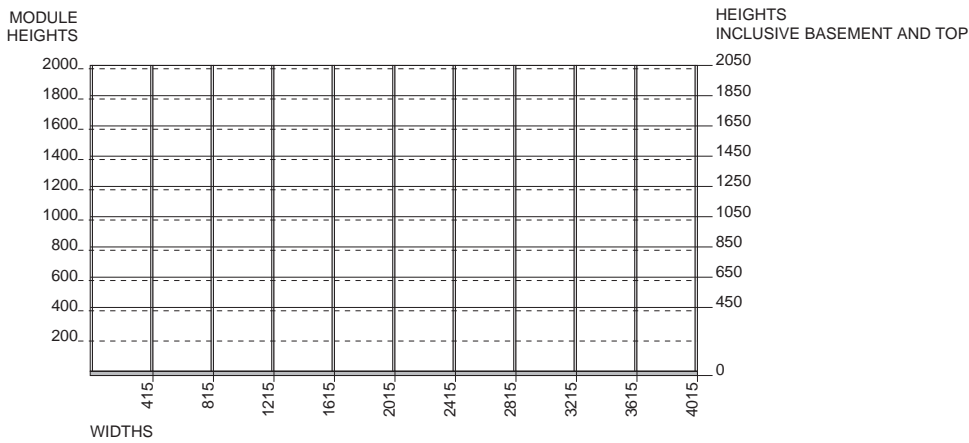


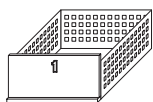
● Module height



● Width and height module

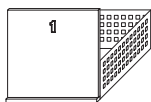


● External finishings



Drawer H. 200

- mat in our colours
- mat by sample
- cherry
- black walnut
- oak
- wengé



Drawer H. 400

- mat in our colours
- mat by sample
- cherry
- black walnut
- oak
- wengé



Plain door H. 400

- mat in our colours
- mat by sample
- cherry
- black walnut
- oak
- wengé



Glass door H. 400

- aluminium/satined tempered glass

• By finishings “mat in our colours” and “mat by sample” is meant that the front is lacquered in one colour. With a supplement it is possible to have drawers and/or doors in different colours, which must be specified by placing the order.

• The handle is in lacquered aluminium.

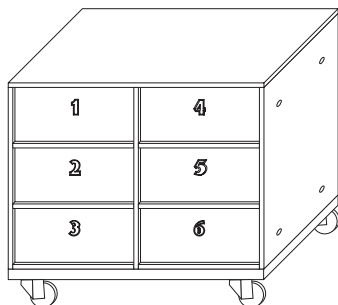
● Internal finishings

• Internal drawer is in drilled metal then lacquered in aluminium colour.

• Internal structure is in grey melamine.

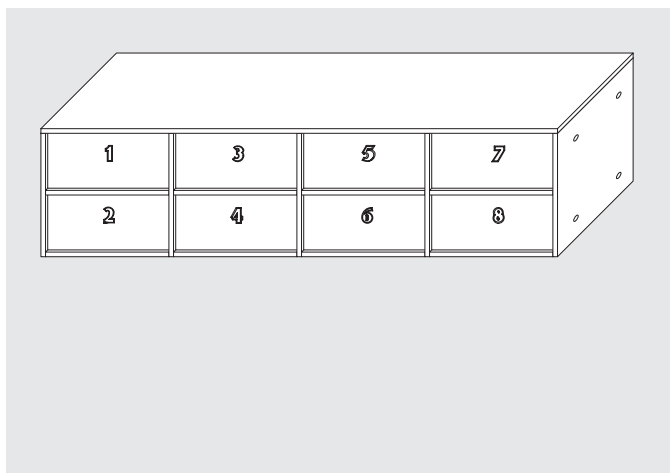
• Black plinth.

● Use of basements with castors



• The basements with castors can be used with column **H. 450** and **H. 650** mm. The basement with castors **W. 2015** mm can be used only with columns **H. 450** mm.

● Hanging composition



• For hanging compositions you can use only columns **H. 450** mm without any supplement. It is necessary to specify **“HANGING TOOLBOX”** by placing the order.