

# BONACINA PIERANTONIO

PRODUCT CONCEIVED, DESIGNED, AND CREATED IN ITALY

**product** ALA 1 Wicker chair with arm

**designer** Tito Agnoli

**product code** 04421

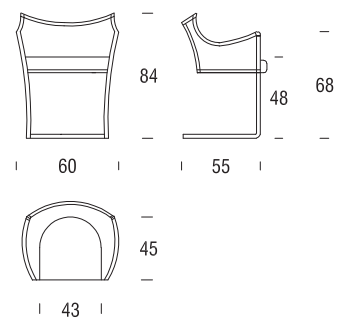
**finish** Wicker made colours / Fabric Cat.A

**composition code** 04421YA



Wicker chair with arms.  
Round base on glides in chromed steel.  
Shell in wing shape with metal structure and angular joints of polished aluminium.  
Seat in wood and cushion in polyurethane foam with removable cover.

Fabric: m. 0,65



0,65 m

6 kg

0,31 m<sup>3</sup>